

# 2019 SDXA Club Meeting Programs

Programs start at 7:00 PM



January 3, 2019



## **Del Morissette (WA7AQH) – “Station Audio”**

Would you like your station to sound better to the world? Del will be covering the technical aspects of various types of mics, matching impedance, outboard audio gear (and why it's often unnecessary), running multiple radios with one audio setup, what compression/leveling/equalization do (and why to take a light hand with them), etc. Come and learn how to improve your stations audio.

Station Feature: Bob Rosie (W7GSV)

February 7, 2019



## **Bob Zavrel (W7SX) Antenna Modeling Oreintation**

An introduction to “Antenna Modeling”. We will focus on EZNEC, which is by far the preferred program tool for amateurs. This will be an outstanding opportunity for all DXers to look at their antennas and learn how to model others they may need.

**Follow-up workshop** on Saturday at Deer Park Library 1 PM  
For those that want to use EZNEC, you can purchase it and install on our computers and bring to the workshop.

March 7, 2018



## **Mike Buettner (K7STO) & Woody Jacobson (N7HCJ) - “Operation Salmon Run in the Field”.**

Mike and Woody have operated very successfully from the field for several years in the Salmon Run. Learn insights on how to do this. We could help activate some rare counties in Eastern Washington.

April 4, 2019

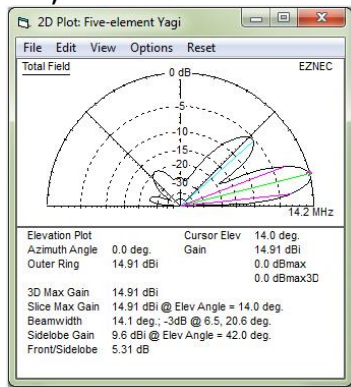


## **Home Brewing and Station Accessories – Part 1**

- Home Brewed Equipment - K7GS (Gary)
- Tower Pushing Tool – N7AU (Bob)
- Adding SDXA Logo to Your QRZ Page – WA7TNT (David)
- Voice Keyers – N7GCO (Mel)
- Rotator Cards – N7GCO (Mel)
- PSTRotatorAZ Rotator Control Program – N7GCO (Mel)

April 5, 2019

April 20, 2019



**"Antenna Modeling: EZNEC"** workshop led by Bob Zavrel

April 20th at the Deer Park Library, starting at 1 PM. This is a hand-on workshop, so you will need to bring a laptop with the program loaded up on it.

Deer Park Spokane County Library address:  
208 S FOREST AVE  
DEER PARK, WA 99006

May 2, 2019



**Mark McMillan (W7MEM) – "6 DXing"**

Mark has 11 band DXCC, with over 163 countries on 160 meters and over 107 countries on 6 meters. I am excited to learn from Mark on DXing on 6 meters. Learn how to reach more DX on 6 meters.

Station Feature: Mark McMillan (W7MEM)

June 6, 2019



**Brian Moran (N9ADG) Editor of the ARRL Contest Journal**  
**"ARRL Sweepstakes from the Pacific Northwest"**




Team K7IR has been competing in the Sweepstakes Multi-operator category for a number of years, and has earned the top spot a few times. Hear about the appeal of this contest, some of the things they've learned, and some techniques that apply to any operating activity.

July 11, 2019



**Rob Fanfant (N7QT) Ducie Island DXpedition**

**Ducie Island**, a rarely visited island atoll, has been part of the Pitcairn Islands since 1902, there are no permanent inhabitants, nor is there any scheduled transportation to the island. Ducie became a DXCC country on November 16th 2001.

<p>August 3, 2019</p> 	<p><b>SDXA Summer Picnic</b></p> <p>This year our summer picnic will be at the beautiful home of Del &amp; Diane Morissette (WA7AQH) on the river at Nine Mile Falls.</p>
<p>September 5, 2019</p> 	<p><b>Mike Ritz (W7VO)</b>, the NW ARRL Director, will be doing two mini seminars:</p> <ol style="list-style-type: none"> <li>1. <b>"Behind the Curtain: Inside the ARRL Boardroom"</b>, Mike will show what actually happens during an ARRL Board meeting, how it's organized, and the special role that Vice Directors play in the process.</li> <li>2. <b>"Using An SDR To Identify Noise In The Shack,"</b> Mike will demonstrate how to use one of the cheap SDR's to identify specific noise in your shack and area. Jay and I heard Mike present this and it was very helpful. I think we will all get some ideas on how to reduce RFI.</li> </ol>
<p>October 3, 2019</p> 	<p><b>Home Brewing and Station Accessories – Part 2</b></p> <ol style="list-style-type: none"> <li>1. John (K7KB) -- USB reboot &amp; serial rotor control box</li> <li>2. Murf (N7UVH) - new mobile HF Antenna</li> <li>3. Harold (AD7QJ) – Tennis Ball Antenna Launcher</li> <li>4. Mike (K7STO) -- "NON-Tennis Ball Antenna Launcher"</li> <li>5.</li> <li>6.</li> </ol> <p><b><i>Do you have a home brew or station accessory you can share?</i></b></p>
<p>November 7, 2019</p>	<p><b>TBD</b></p>
<p>December 5, 2019</p>	<p><b>Christmas Dinner and Awards Presentations</b></p>